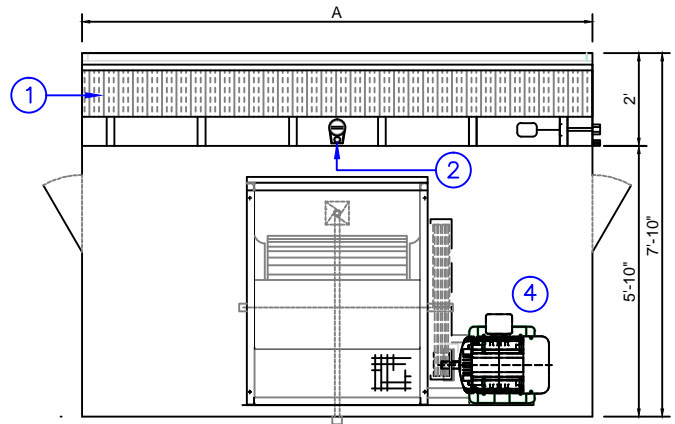
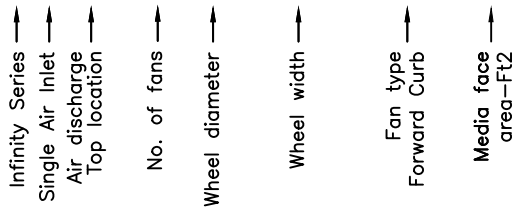


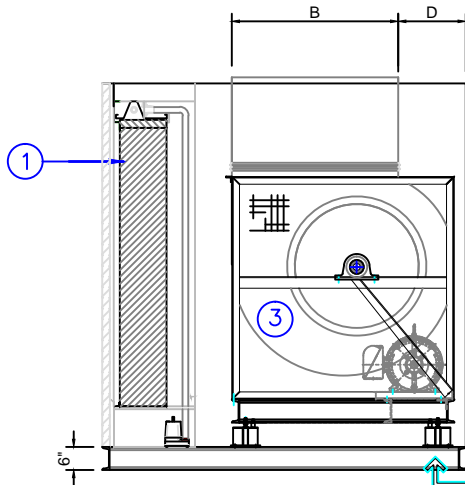
EVAPORATIVE COOLING SYSTEMS

INFINITY SERIES

IST-1XXXX-FCXX

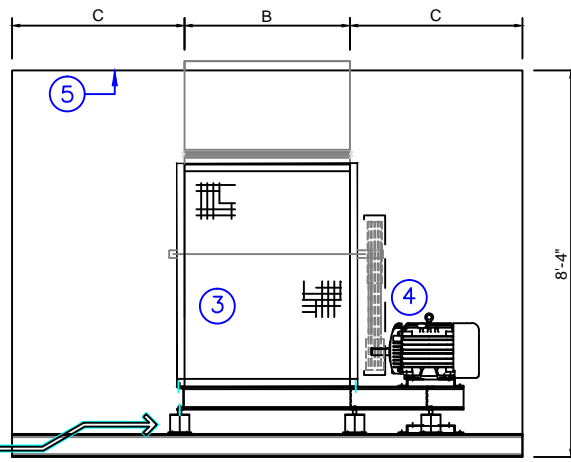


INTERNAL PLAN VIEW



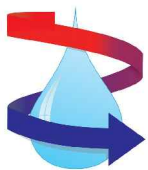
SIDE CROSS SECTION

OPTIONAL VIBRATION ISOLATORS



FRONT CROSS SECTION

MODEL	Std. CFM	ISP"	ESP"	TSP"	BHP/HP	A	B	C	D
IST-12727-FC42	21,000	0.35	0.70	1.05	8.0 / 10	7'	34 1/4"	24 7/8"	24"
IST-13030-FC42	21,000	0.35	0.70	1.05	7.0 / 7.5	7'	37"	23 1/2"	24"
IST-13030-FC48	25,000	0.35	0.70	1.05	9.7 / 10	8'	37"	29 1/2"	22"
IST-13636-FC48	25,000	0.35	0.70	1.05	8.0 / 10	8'	43"	26 1/2"	17 1/2"
IST-13030-FC54	27,500	0.35	0.75	1.10	12.0 / 15	9'	37"	35 1/2"	22"
IST-13636-FC54	27,500	0.35	0.70	1.05	9.5 / 10	9'	43"	32 1/2"	17 1/2"
IST-13030-FC60	29,000	0.35	0.85	1.20	14.0 / 15	10'	37"	41 1/2"	22"
IST-13636-FC60	30,000	0.35	0.70	1.05	11.2 / 15	10'	43"	38 1/2"	17 1/2"
IST-13636-FC66	33,000	0.35	0.70	1.05	13.6 / 15	11'	43"	44 1/2"	17 1/2"
IST-13636-FC72	36,000	0.35	0.75	1.10	16.5 / 20	12'	43"	50 1/2"	17 1/2"
IST-13636-FC78	38,000	0.35	0.95	1.30	19.6 / 20	13'	43"	56 1/2"	17 1/2"



BARNHART-TAYLOR, INC.
 AIR HANDLING AND
 EVAPORATIVE COOLING SYSTEMS
INFINITY SERIES
 EVAPORATIVE COOLERS

IST SERIES UNITS-GENERAL LAYOUT

- NOTES:
- BLOWER AMCA CLASS I. HOT DIP GALVANIZED WHEEL. CLASS II AVAILABLE.
 - CONTACT US FOR DIFFERENT EXTERNAL STATIC PRESSURE (ESP) FOR MOTOR SELECTIONS.
 - DRAWING NOT FOR CONSTRUCTION PURPOSES
 - BHP INCLUDES BELT LOSSES

ITEM	QTY	DESCRIPTION
1	1 set	EVAPORATIVE COOLING MEDIA MUNTERS CELDEK 12" THICK
2	1	CIRCULATION PUMPS: LITTLE GIANT WGP
3	1	SUPPLY FAN; LAU INDUSTRIES H SERIES
4	1	PREMIUM EFFICIENCY MOTOR 230V / 460V / 3ø / 60HZ TEFC
5	1	FAN CASING - GALVANNEAL SHEET METAL GAUGE 18
6	1	2" DEEP LOUVERS - GALVANNEAL STEEL METAL

DRAWING No:
IUS-10005
 DATE: 08/22/2012