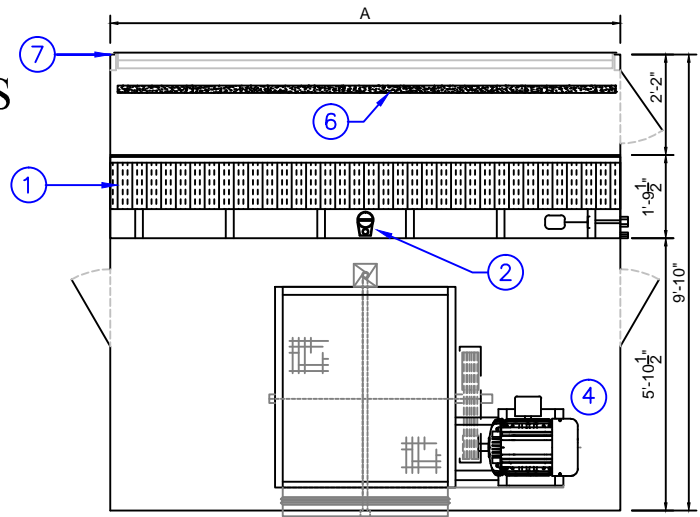
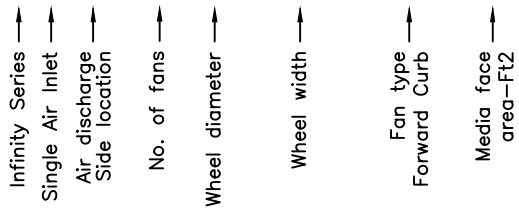


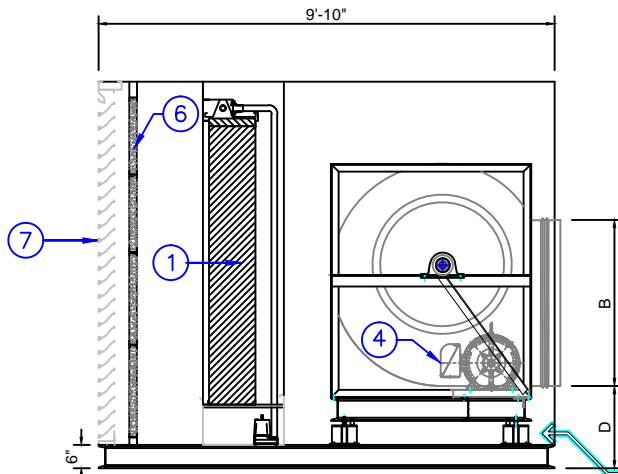
EVAPORATIVE COOLING SYSTEMS

INFINITY SERIES

ISS-1XXXX-FCXX

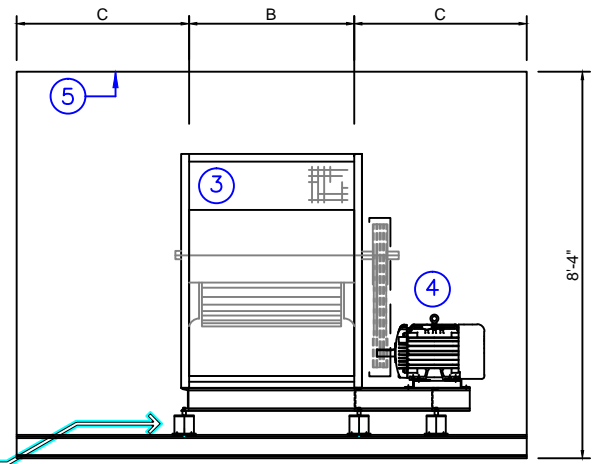


INTERNAL PLAN VIEW



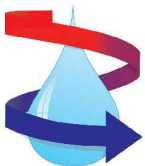
SIDE CROSS SECTION

OPTIONAL VIBRATION ISOLATORS



FRONT CROSS SECTION

MODEL	Std. CFM	ISP"	ESP"	TSP"	BHP/HP	A	B	C	D
ISS-12727-FC42	21,000	0.70	0.70	1.40	9.3 / 10	7'	34 1/4"	24 7/8"	24"
ISS-13030-FC42	21,000	0.70	0.70	1.40	8.5 / 10	7'	37"	23 1/2"	22"
ISS-13030-FC48	25,000	0.70	0.70	1.40	11.3 / 15	8'	37"	29 1/2"	22"
ISS-13636-FC48	25,000	0.70	0.70	1.40	9.7 / 10	8'	43"	26 1/2"	20 1/2"
ISS-13030-FC54	27,500	0.70	0.70	1.40	13.6 / 15	9'	37"	35 1/2"	22"
ISS-13636-FC54	27,500	0.70	0.70	1.40	11.3 / 15	9'	43"	32 1/2"	20 1/2"
ISS-13030-FC60	30,000	0.70	0.70	1.40	16.2 / 20	10'	37"	41 1/2"	22"
ISS-13636-FC60	30,000	0.70	0.70	1.40	13.3 / 15	10'	43"	38 1/2"	20 1/2"
ISS-13636-FC66	33,000	0.70	0.70	1.40	15.7 / 20	11'	43"	44 1/2"	20 1/2"
ISS-13636-FC72	36,000	0.70	0.70	1.40	18.6 / 20	12'	43"	50 1/2"	20 1/2"
ISS-13636-FC78	40,000	0.70	0.70	1.40	23.2 / 25	13'	43"	56 1/2"	20 1/2"



BARNHART-TAYLOR, INC.
 AIR HANDLING AND
 EVAPORATIVE COOLING SYSTEMS
INFINITY SERIES
 EVAPORATIVE COOLERS

ISS SERIES UNITS—GENERAL LAYOUT

- NOTES:
1. BLOWER AMCA CLASS I. HOT DIP GALVANIZED WHEEL. CLASS II AVAILABLE.
 2. CONTACT US FOR DIFFERENT EXTERNAL STATIC PRESSURE (ESP) FOR MOTOR SELECTIONS.
 3. DRAWING NOT FOR CONSTRUCTION PURPOSES
 4. BHP INCLUDES BELT LOSSES

ITEM	QTY	DESCRIPTION
1	1 set	EVAPORATIVE COOLING MEDIA MUNTERS CELDEK 12" THICK
2	1	CIRCULATION PUMPS: LITTLE GIANT WGP
3	1	SUPPLY FAN; LAU INDUSTRIES H SERIES
4	1	PREMIUM EFFICIENCY MOTOR 230V / 460V / 3ø / 60HZ TEFC
5	1	FAN CASING - GALVANNEAL SHEET METAL GAUGE 18
6	1	2" FILTERS - AAF PERFECT PLEAT HC
7	1	4" DEEP LOUVERS - GALVANNEAL STEEL METAL

DRAWING No:
IUS-10010
 DATE: 08/22/2012