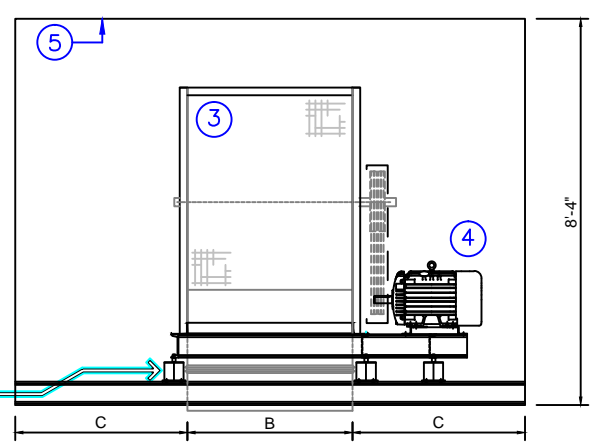
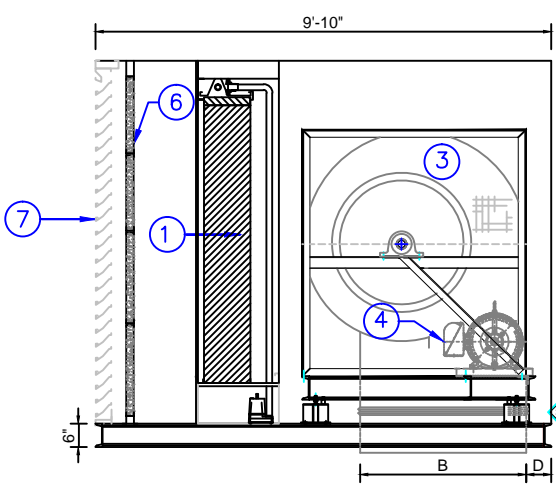
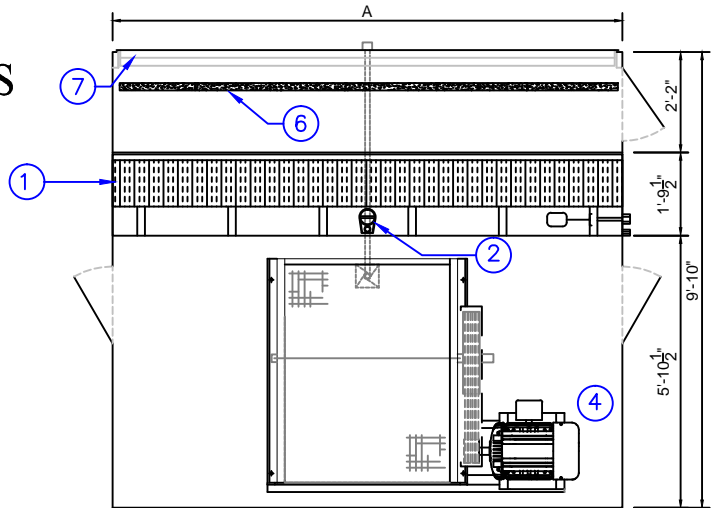
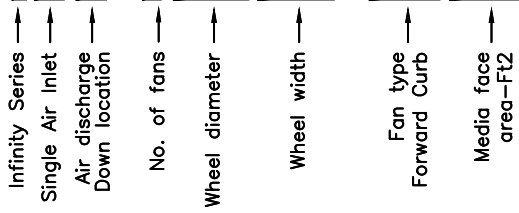


EVAPORATIVE COOLING SYSTEMS

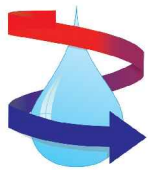
INFINITY SERIES

ISD-1XXXX-FCXX



OPTIONAL VIBRATION ISOLATORS

MODEL	Std. CFM	ISP"	ESP"	TSP"	BHP/HP	A	B	C	D
ISD-12727-FC42	20,000	0.70	0.70	1.40	9.3 / 10	7'	34 1/4"	24 7/8"	10"
ISD-13030-FC42	20,000	0.70	0.70	1.40	8.5 / 10	7'	37"	23 1/2"	8"
ISD-13030-FC48	25,000	0.70	0.70	1.40	11.3 / 15	8'	37"	29 1/2"	8"
ISD-13636-FC48	25,000	0.70	0.70	1.40	9.7 / 10	8'	43"	26 1/2"	6 1/2"
ISD-13030-FC54	27,500	0.70	0.70	1.40	13.6 / 15	9'	37"	35 1/2"	8"
ISD-13636-FC54	27,500	0.70	0.70	1.40	11.3 / 15	9'	43"	32 1/2"	6 1/2"
ISD-13030-FC60	30,000	0.70	0.70	1.40	16.2 / 20	10'	37"	41 1/2"	8"
ISD-13636-FC60	30,000	0.70	0.70	1.40	13.3 / 15	10'	43"	38 1/2"	6 1/2"
ISD-13636-FC66	33,000	0.70	0.70	1.40	15.7 / 20	11'	43"	44 1/2"	6 1/2"
ISD-13636-FC72	36,000	0.70	0.70	1.40	18.6 / 20	12'	43"	50 1/2"	6 1/2"
ISD-13636-FC78	40,000	0.70	0.70	1.40	23.2 / 25	13'	43"	56 1/2"	6 1/2"



BARNHART-TAYLOR, INC.
 AIR HANDLING AND
 EVAPORATIVE COOLING SYSTEMS
INFINITY SERIES
 EVAPORATIVE COOLERS

ISD SERIES UNITS-GENERAL LAYOUT

NOTES:
 1.- BLOWER AMCA CLASS I. HOT DIP GALVANIZED WHEEL. CLASS II AVAILABLE.
 2.- CONTACT US FOR DIFFERENT EXTERNAL STATIC PRESSURE (ESP) FOR MOTOR SELECTIONS.
 3.- DRAWING NOT FOR CONSTRUCTION PURPOSES
 4.- BHP INCLUDES BELT LOSSES

ITEM	QTY	DESCRIPTION
1	1 set	EVAPORATIVE COOLING MEDIA MUNTERS CELDEK 12" THICK
2	1	CIRCULATION PUMPS: LITTLE GIANT WGP
3	1	SUPPLY FAN; LAU INDUSTRIES H SERIES
4	1	PREMIUM EFFICIENCY MOTOR 230V / 460V / 3ø / 60HZ TEFC
5	1	FAN CASING - GALVANNEAL SHEET METAL GAUGE 18
6	1	2" FILTERS - AAF PERFECT PLEAT HC
7	1	4" DEEP LOUVERS - GALVANNEAL STEEL METAL

DRAWING No:
IUS-10009
 DATE: 08/22/2012