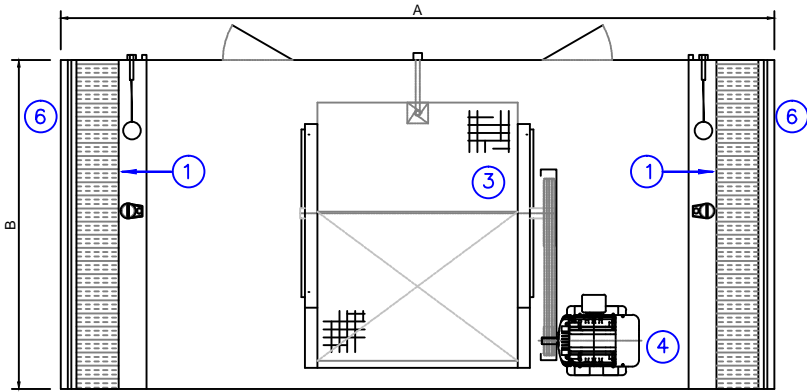


EVAPORATIVE COOLING SYSTEMS

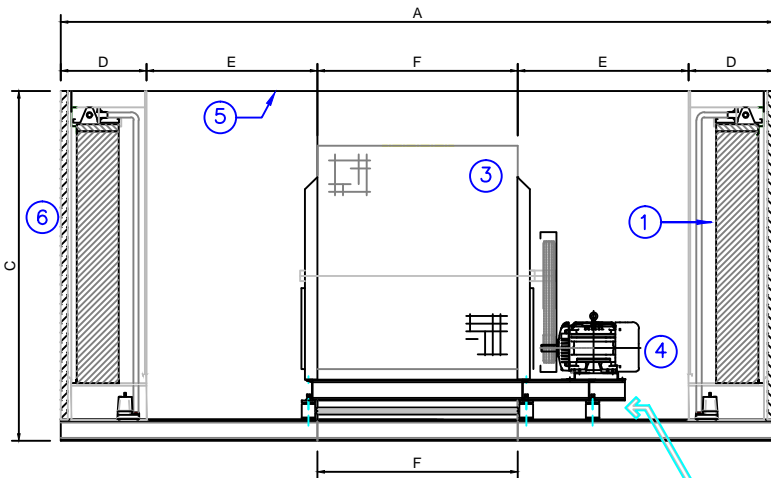
INFINITY SERIES

IDD-1XXX-AFXX

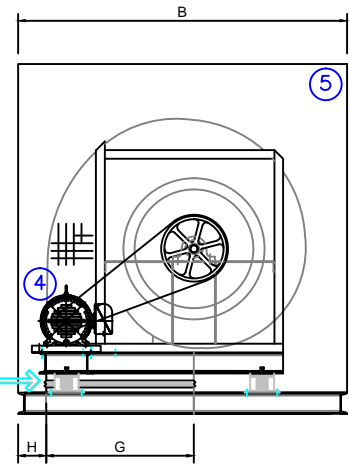
↑ Infinity Series
 ↑ Double Air Inlet
 ↑ Air discharge Down location
 ↑ No. of fans
 ↑ Wheel diameter
 ↑ Fan type Forward Curb
 ↑ Media face area-Ft²



INTERNAL PLAN VIEW



FRONT ELEVATION



SIDE CROSS SECTION

MODEL	Std. CFM	ISP"	ESP"	TSP"	BHP/HP	A	B	C	D	E	F	G	H
IDD-1 40 AF 94	45,000	0.35	0.70	1.05	17.57 / 20	17'-0"	7'-10"	8'- 4"	24 1/2"	48 7/8"	57 1/4"	42 3/4"	8"
IDD-1 44 AF 94	45,000	0.35	0.70	1.05	14.29 / 15	18'-0"	7'-10"	8'- 4"	24 1/2"	51 7/8"	63 1/4"	47 1/4"	7"
IDD-1 44 AF 100	50,000	0.35	0.70	1.05	17.59 / 20	18'-0"	8'- 4"	8'- 4"	24 1/2"	51 7/8"	63 1/4"	47 1/4"	8"
IDD-1 44 AF 108	55,000	0.35	0.70	1.05	21.46 / 25	18'-0"	9'- 0"	8'- 4"	24 1/2"	51 7/8"	63 1/4"	47 1/4"	8"
IDD-1 49 AF 108	55,000	0.35	0.70	1.05	17.59 / 20	18'-6"	9'- 0"	8'-11"	24 1/2"	51 3/4"	69 1/2"	52 1/4"	8"
IDD-1 44 AF 118	60,000	0.35	0.70	1.05	25.99 / 30	18'-6"	9'- 10"	8'- 4"	24 1/2"	51 7/8"	63 1/4"	47 1/4"	10"
IDD-1 49 AF 118	60,000	0.35	0.70	1.05	20.89 / 25	18'-6"	9'- 10"	9'- 6"	24 1/2"	51 3/4"	69 1/2"	52 1/4"	10"
IDD-1 49 AF 138	65,000	0.35	0.70	1.05	24.65 / 25	18'-6"	9'- 10"	9'- 6"	24 1/2"	51 3/4"	69 1/2"	52 1/4"	10"
IDD-1 54 AF 138	70,000	0.35	0.70	1.05	23.20 / 25	19'-0"	9'- 10"	9'- 10 1/2"	24 1/2"	51"	77"	57 3/8"	10"
IDD-1 54 AF 157	75,000	0.35	0.70	1.05	26.64 / 30	19'-0"	9'- 10"	10'- 4"	24 1/2"	51"	77"	57 3/8"	10"
IDD-1 54 AF 157	80,000	0.35	0.70	1.05	30.47 / 40	19'-0"	9'- 10"	10'- 4"	24 1/2"	51"	77"	57 3/8"	10"



BARNHART-TAYLOR, INC.
 AIR HANDLING AND
 EVAPORATIVE COOLING SYSTEMS
INFINITY SERIES
 EVAPORATIVE COOLERS

IDD SERIES UNITS-GENERAL LAYOUT

- NOTES:
- 1- BLOWER AMCA CLASS I OR CLASS II. AIRFOIL WHEEL PERMATECTOR COATED.
 - 2- CONTACT US FOR DIFFERENT EXTERNAL STATIC PRESSURE (ESP) FOR MOTOR SELECTIONS.
 - 3- DRAWING NOT FOR CONSTRUCTION PURPOSES
 - 4- BHP INCLUDES BELT LOSSES

ITEM	QTY	DESCRIPTION
1	2 sets	EVAPORATIVE COOLING MEDIA MUNTERS CELDEK 12" THICK
2	2	CIRCULATION PUMPS: LITTLE GIANT WGP
3	1	SUPPLY FAN: GREENHECK DWDI AIRFOIL
4	1	PREMIUM EFFICIENCY MOTOR 230V / 460V / 3ø / 60HZ TEFC
5	1	FAN CASING - GALVANNEAL SHEET METAL GAUGE 18
6	1	2" DEEP LOUVERS - GALVANNEAL SHEET METAL

DRAWING No:
IUS-10020-R1
 DATE: 11/14/2012