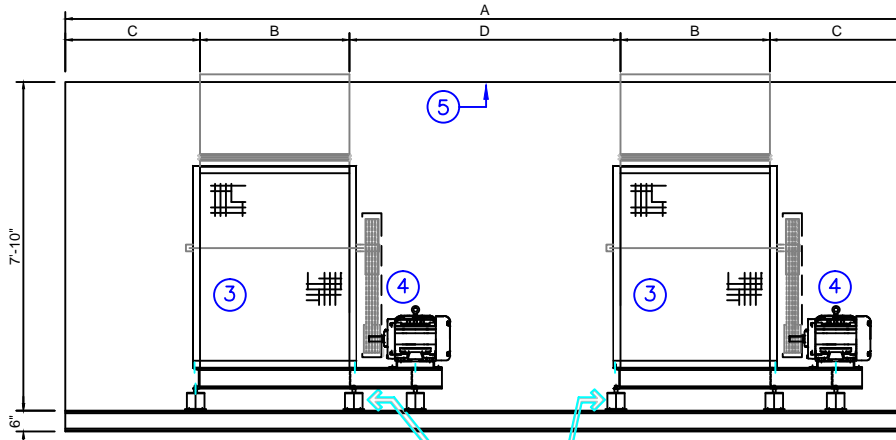
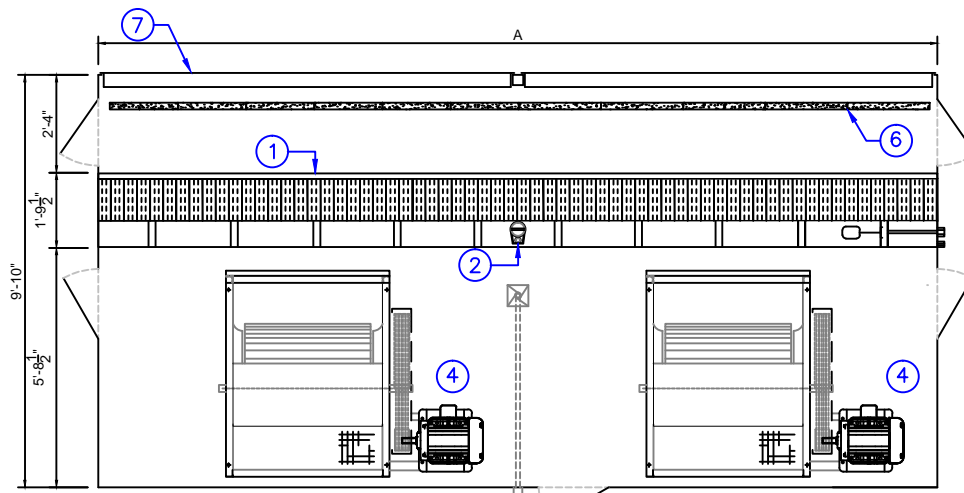


EVAPORATIVE COOLING SYSTEMS

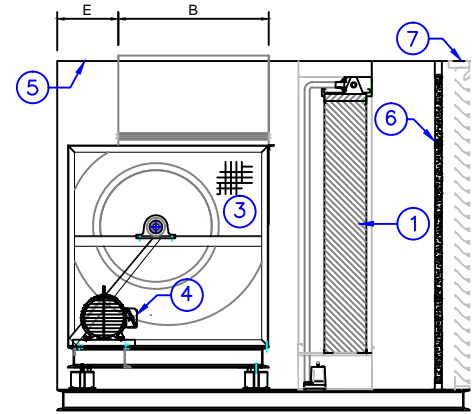
INFINITY SERIES

IST-2XXXX-FCXX

↑ Infinity Series
 ↑ Single Air Inlet
 ↑ Air discharge Top location
 ↑ No. of fans
 ↑ Wheel diameter
 ↑ Wheel width
 ↑ Fan type Forward
 ↑ Curb Media face area-Ft2



OPTIONAL VIBRATION ISOLATORS



MODEL	Std. CFM	ISP"	ESP"	TSP"	BHP/HP (Per Motor)	A	B	C	D	E
IST-23030-FC78	40,000	0.70	0.70	1.40	7.8 / 10	13'	37"	24"	34"	24"
IST-23030-FC84	42,500	0.70	0.70	1.40	8.6 / 10	14'	37"	26"	42"	24"
IST-23030-FC90	45,000	0.70	0.70	1.40	9.4 / 10	15'	37"	30"	46"	24"
IST-23030-FC96	50,000	0.70	0.70	1.40	11.3 / 15	16'	37"	32"	54"	22"
IST-23636-FC96	50,000	0.70	0.70	1.40	9.7 / 10	16'	43"	32"	42"	17 1/2"
IST-23030-FC102	52,500	0.70	0.70	1.40	12.4 / 15	17'	37"	32 1/2"	65"	22"
IST-23636-FC102	52,500	0.70	0.70	1.40	10.5 / 15	17'	43"	32 1/2"	53"	17 1/2"
IST-23030-FC108	55,000	0.70	0.70	1.40	13.6 / 15	18'	37"	35 1/2"	71"	22"
IST-23636-FC108	55,000	0.70	0.70	1.40	11.3 / 15	18'	43"	32 1/2"	65"	17 1/2"
IST-23636FC114	57,500	0.70	0.70	1.40	12.2 / 15	19'	43"	35 1/2"	71"	17 1/2"
IST-23636-FC120	60,000	0.70	0.70	1.40	13.3 / 15	20'	43"	38 1/2"	77"	17 1/2"
IST-23636-FC126	62,500	0.70	0.70	1.40	14.2 / 15	21'	43"	41 1/2"	83"	17 1/2"
IST-23636-FC132	65,000	0.70	0.70	1.40	15.3 / 20	22'	43"	44 1/2"	89"	17 1/2"
IST-23636-FC138	70,000	0.70	0.70	1.40	17.6 / 20	23'	43"	47 1/2"	95"	17 1/2"
IST-23636-FC144	72,500	0.70	0.70	1.40	18.9 / 20	24'	43"	50 1/2"	101"	17 1/2"
IST-23636-FC150	75,000	0.70	0.70	1.40	20.3 / 25	25'	43"	53 1/2"	107"	17 1/2"
IST-23636-FC156	80,000	0.70	0.70	1.40	23.2 / 25	26'	43"	56 1/2"	113"	17 1/2"



BARNHART-TAYLOR, INC.
 AIR HANDLING AND
 EVAPORATIVE COOLING SYSTEMS
 INFINITY SERIES
 EVAPORATIVE COOLERS

IST SERIES UNITS-GENERAL LAYOUT

NOTES:

- 1- BLOWER AMCA CLASS 1 - HOT DIP GALVANIZED WHEEL - CLASS II AVAILABLE
- 2- CONTACT US FOR DIFFERENT EXTERNAL STATIC PRESSURE (ESP) FOR MOTOR SELECTIONS.
- 3- DRAWING NOT FOR CONSTRUCTION PURPOSES
- 4- BHP INCLUDES BELT LOSSES

ITEM	QTY	DESCRIPTION
1	1 set	EVAPORATIVE COOLING MEDIA MUNTERS CELDEK 12" THICK
2	1	CIRCULATION PUMPS: LITTLE GIANT WGP
3	1	SUPPLY FAN: LAU INDUSTRIES H SERIES
4	1	PREMIUM EFFICIENCY MOTOR 230V / 460V / 3ø / 60HZ TEFC
5	1	FAN CASING - GALVANNEAL SHEET METAL GAUGE 18
6	1	2" FILTERS - AAF PERFECT PLEAT HC MERV 8
7	1	4" DEEP LOUVERS - GALVANNEAL STEEL METAL

DRAWING No:
IUS-10011-R1
 DATE: 03/15/2013