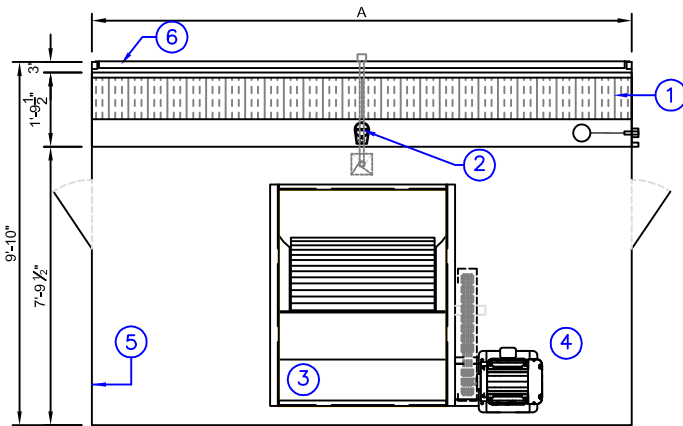


EVAPORATIVE COOLING SYSTEMS

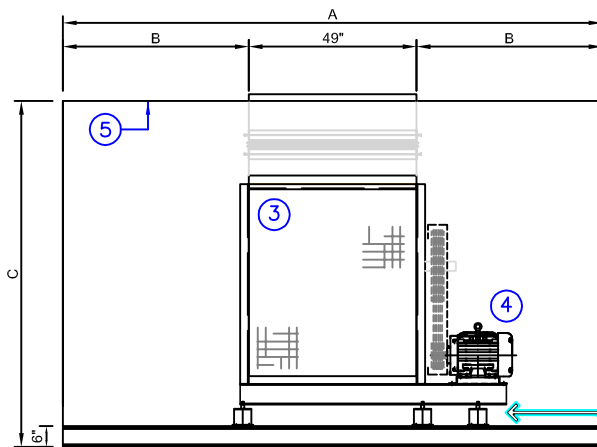
INFINITY SERIES

IST-14242-FCXX

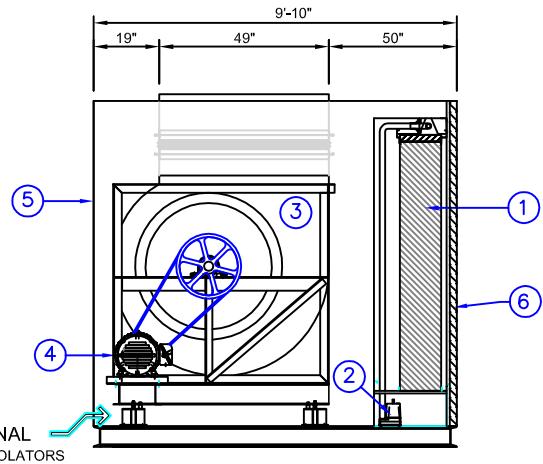
- ↑ Infinity Series
- ↑ Single Air Inlet
- ↑ Air discharge Top location
- ↑ No. of fans
- ↑ Wheel diameter
- ↑ Wheel width
- ↑ Fan type Forward Curb
- ↑ Media face area—Ft²



INTERNAL PLAN VIEW



FRONT CROSS SECTION



SIDE CROSS SECTION

MODEL	Std. CFM	ISP"	ESP"	TSP"	BHP/HP	A	B	C	D
ISD-14242FC-78	40,000	0.30	0.70	1.00	13.20 / 15	13'-0"	4'-5 1/2"	8'-4"	20"
ISD-14242FC-84	42,500	0.30	0.70	1.00	14.73 / 20	14'-0"	4'-11 1/2"	8'-4"	20"
ISD-14242FC-90	45,000	0.30	0.70	1.00	17.07 / 20	15'-0"	5'-5 1/2"	8'-4"	20"
ISD-14242FC-90 A	45,000	0.30	0.70	1.00	17.07 / 20	11'-3"	3'-7"	10'-4"	20"
ISD-14242FC-96	48,000	0.30	0.70	1.00	19.5 / 20	16'-0"	5'-11 1/2"	8'-4"	20"
ISD-14242FC-96 A	50,000	0.30	0.70	1.00	21.30 / 25	12'-0"	3'-11 1/2"	10'-4"	32"
ISD-14242FC-96	50,000	0.30	0.70	1.00	21.30 / 25	16'-0"	5'-11 1/2"	8'-4"	20"
ISD-14242FC-102	52,000	0.30	0.70	1.00	23.20 / 25	17'-0"	6'-5 1/2"	8'-4"	32"
ISD-14242FC-104	52,000	0.30	0.70	1.00	23.20 / 25	13'-0"	4'-5 1/2"	10'-4"	32"
ISD-14242FC-112	56,000	0.30	0.70	1.00	27.77 / 30	14'-0"	4'-11 1/2"	10'-4"	32"



BARNHART-TAYLOR, INC.
 AIR HANDLING AND
 EVAPORATIVE COOLING SYSTEMS
INFINITY SERIES
 EVAPORATIVE COOLERS

ISD SERIES UNITS—GENERAL LAYOUT

NOTES:

- 1.- BLOWER CLASS I CLASS II NOT AVAILABLE.
- 2.- CONTACT US FOR DIFFERENT EXTERNAL STATIC PRESSURE (ESP) FOR MOTOR SELECTIONS.
- 3.- DRAWING NOT FOR CONSTRUCTION PURPOSES
- 4.- BHP INCLUDES BELT LOSSES

ITEM	QTY	DESCRIPTION
1	1 set	EVAPORATIVE COOLING MEDIA MUNTERS CELDEK 12" THICK
2	1	CIRCULATION PUMPS: LITTLE GIANT WGP
3	1	SUPPLY FAN: ECONOCLIMAS FC (NOT AMCA CERTIFIED)
4	1	PREMIUM EFFICIENCY MOTOR 230V / 460V / 3ø / 60HZ TEFC
5	1	FAN CASING - GALVANNEAL SHEET METAL GAUGE 18
6	1	2" DEEP LOUVERS WITH BIRDSCREEN- GALVANNEAL STEEL

DRAWING No:

**IUS-10028
-1R**

DATE: 12/27/2013